

2J0A02-2,4GHz-C91G (DATASHEET)

Type	WiFi/Bluetooth antenna
Frequencies	WIFI / BLUETOOTH (2.4 GHz)
Mounting	Telematic
Revision	00



1. SPECIFICATION

1.1. Electrical Specifications

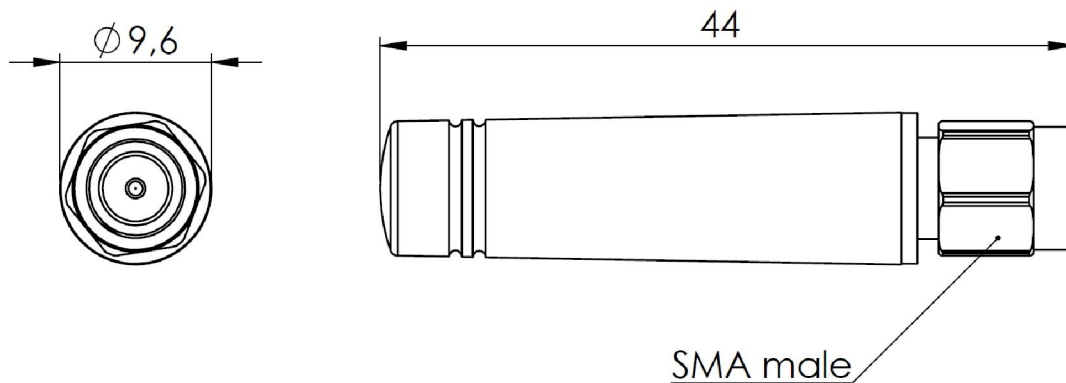
Frequencies	WIFI / BLUETOOTH (2.4 GHz)
Impedance	50 Ohms
Polarization	Linear
Gain	< 2dBi max.
VSWR	<2:1
Operating temperature	-40°C to +85°C

1.2. Connection Specifications

Connector type: SMA male, gold

1.3. Mechanical Specifications and Dimensions

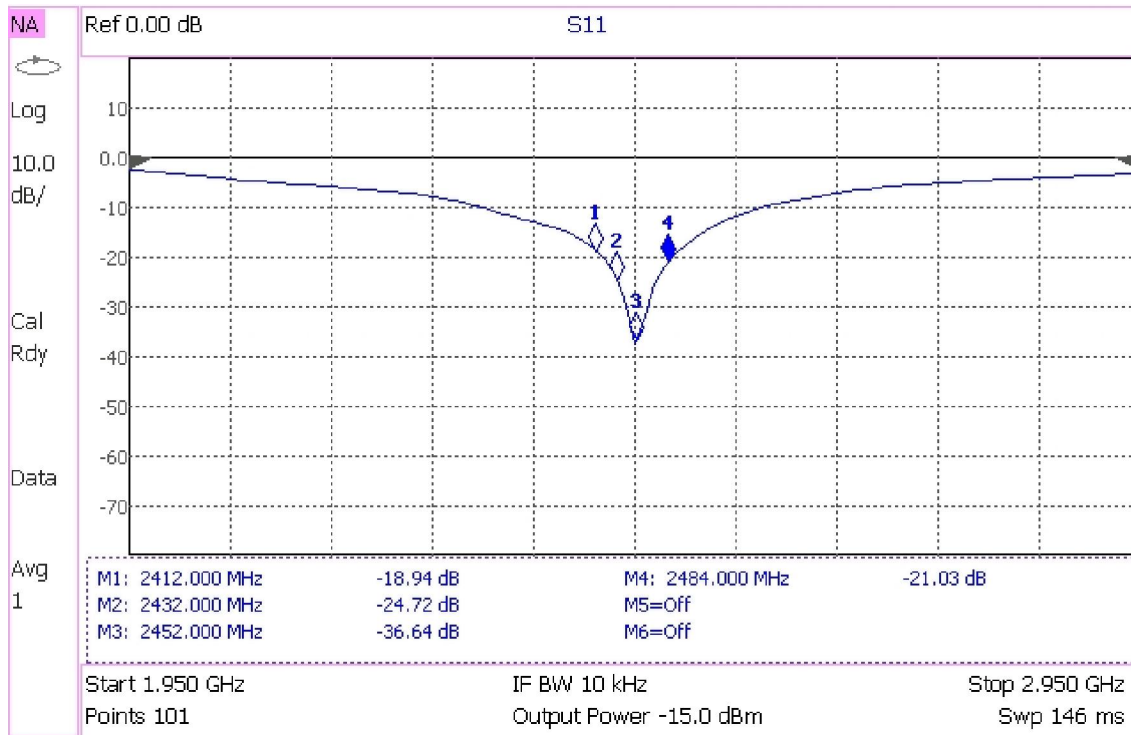
Max. dimensions: 44mm x 9.6mm (H x D)
Weight: 6g
Colour: Black (for different colours please ask our sales team)



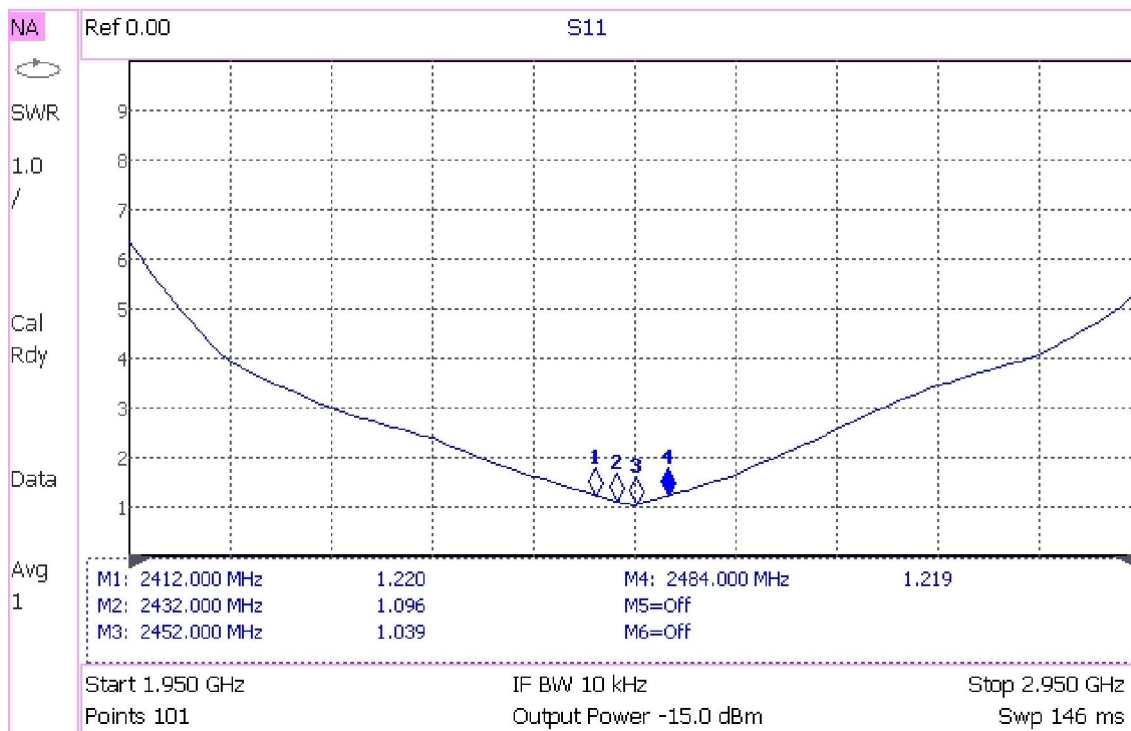
2. MEASUREMENT

Measured directly on analyzer N9923A

VSWR

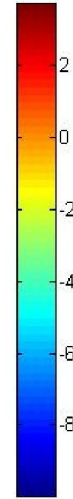
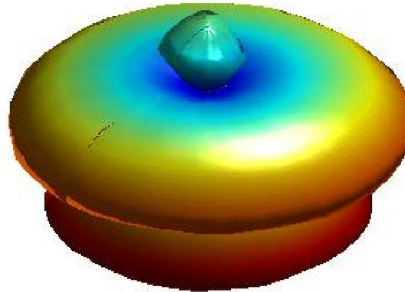


LOG MAG



3D radiation pattern

2.44 GHz
Freq = 2.4437GHz Az= 45 EL= 45



3. PICTURES

